

CE-440 WASTE OIL FURNACE

**OUR BIGGEST
FURNACE
GENERATES THE
MOST SAVINGS**



Our CE-440 Waste Oil Furnace is the largest furnace in our line. It's the perfect choice to quickly and cost-effectively heat the largest spaces.

An innovative new furnace design combined with up to 420,000 BTUs of heating power makes the CE-440 a smart investment. It has the power to heat very large spaces; and by turning used oil products into free heat, it can help your business start saving money immediately.

INNOVATIVE FEATURES:

- » Stainless steel heat exchanger for long-lasting durability
- » High-velocity, air-swept heat exchanger for more heating power
- » Vertical flue tubes resist deterioration & last longer
- » Easily opens for service & cleaning without tools
- » Unique design for longer interval between cleanings
- » Electronic burner control that starts every time
- » Fast ROI from reduced or eliminated heating bills

Acceptable fuel: used crankcase oil, transmission fluids, hydraulic oil, #2 heating oil, diesel fuel, most synthetic oils, or any mixture of these fuels

SPECIFICATIONS:

- » 420,000 BTU/hour input
- » 3.0 GPH max fuel consumption
- » 4,800/85° F air flow output CFM/heat rise
- » 230 VAC, 60 Hz, single phase, 30-amp breaker
- » UL and cUL Listed
- » Left or right side chimney outlets
- » 8" diameter stack outlet
- » Tank, wall or ceiling mountable
- » Hanging weight 806
- » 1000+ hour cleaning interval
- » Over-center latches on clean-out doors
- » 10-year warranty on heat exchanger
- » 2-year warranty on parts (with completed warranty registration)
- » Made in the USA

INCLUDED IN PACKAGE:

- » Complete waste oil furnace
- » Electronic waste oil furnace burner
- » Pre-assembled, tested metering pump
- » Belt drive blower with 2 hp motor
- » Inline oil filter w/gauge
- » Barometric damper
- » Digital wall thermostat



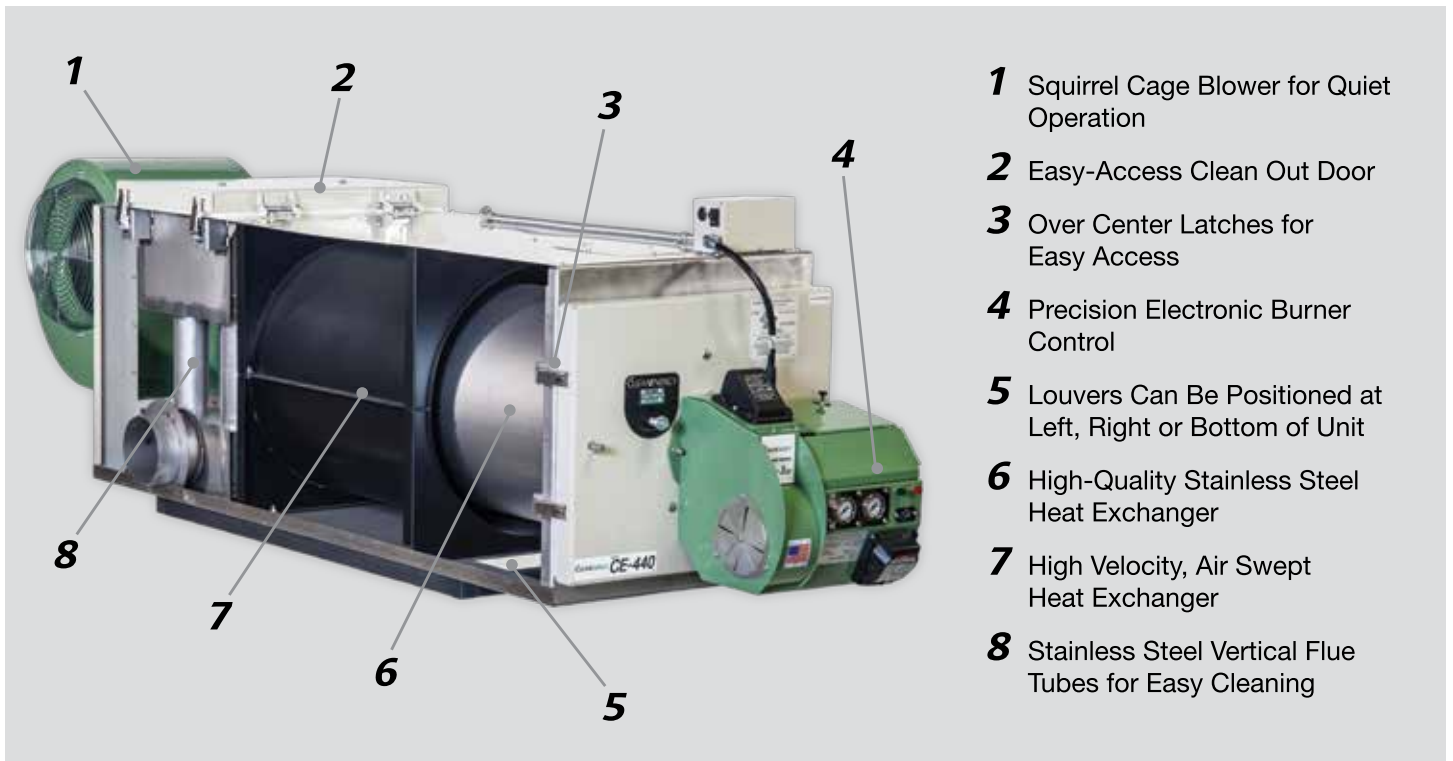
Stainless steel components resist deterioration and last years longer than the competition.



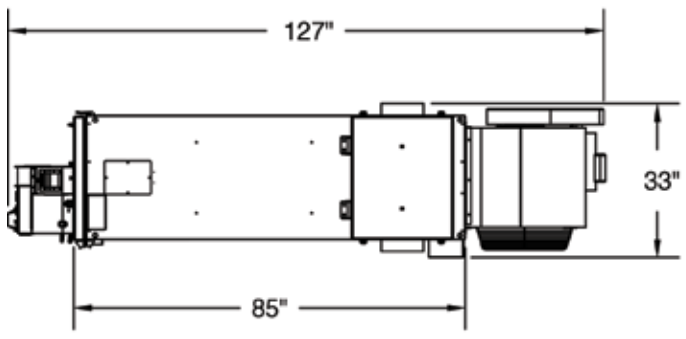
Over-center latches and smart design allow fast access for cleaning and service, without tools.



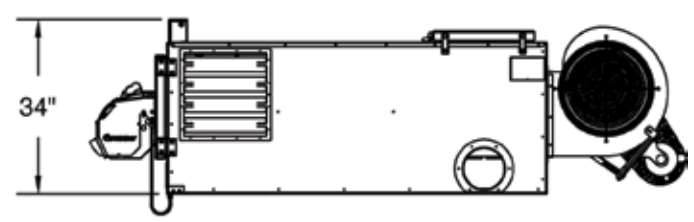
High-velocity, air-swept heat exchanger provides far better heating power and efficiency.



- 1** Squirrel Cage Blower for Quiet Operation
- 2** Easy-Access Clean Out Door
- 3** Over Center Latches for Easy Access
- 4** Precision Electronic Burner Control
- 5** Louvers Can Be Positioned at Left, Right or Bottom of Unit
- 6** High-Quality Stainless Steel Heat Exchanger
- 7** High Velocity, Air Swept Heat Exchanger
- 8** Stainless Steel Vertical Flue Tubes for Easy Cleaning



TOP VIEW



SIDE VIEW