

CLEANENERGY[®]

Waste Oil Heaters That Burn Hot & Save Money

» CE-330

WASTE OIL FURNACE



OUR BIGGEST FURNACE GENERATES THE MOST SAVINGS

Our CE-330 Waste Oil Furnace is the largest furnace in our line. It's the perfect choice to quickly and cost-effectively heat the largest spaces.

An innovative new furnace design combined with up to 325,000 BTUs of heating power makes the CE-330 a smart investment. It has the power to heat very large spaces, and by turning used oil products into free heat it can help your business start saving money immediately.

Included with the furnace:

- ✓ Stainless steel heat exchanger
- ✓ Preassembled metering pump
- ✓ Clean Energy burner
- ✓ Blower w/2hp motor
- ✓ Inline oil filter w/gauge
- ✓ Barometric damper
- ✓ Digital wall thermostat

Features:

- ✓ High-velocity, stainless steel, air swept heat exchanger
- ✓ Vertical, stainless steel flue tubes
- ✓ Over-center latches on clean-out doors
- ✓ Left or right side chimney outlets
- ✓ Tank, wall or ceiling mountable
- ✓ 1000+ hour cleaning interval
- ✓ 10-year warranty on heat exchanger
- ✓ 2-Year Warranty On Parts
- ✓ Made in the USA

Specifications:

- ✓ 325,000 BTU/hour input
- ✓ 2.3 GPH max fuel consumption
- ✓ 3,700/85° F air flow output CFM/heat rise
- ✓ 230 VAC, 60 Hz, single phase, 30-amp breaker
- ✓ UL and cUL Listed
- ✓ Hanging weight 625 lbs.
- ✓ 8" diameter stack outlet

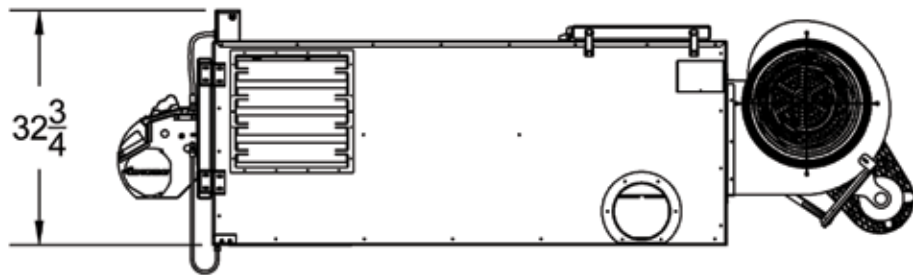
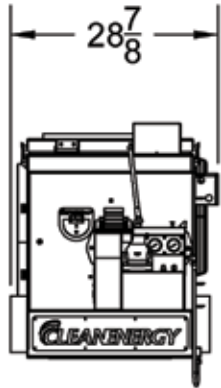
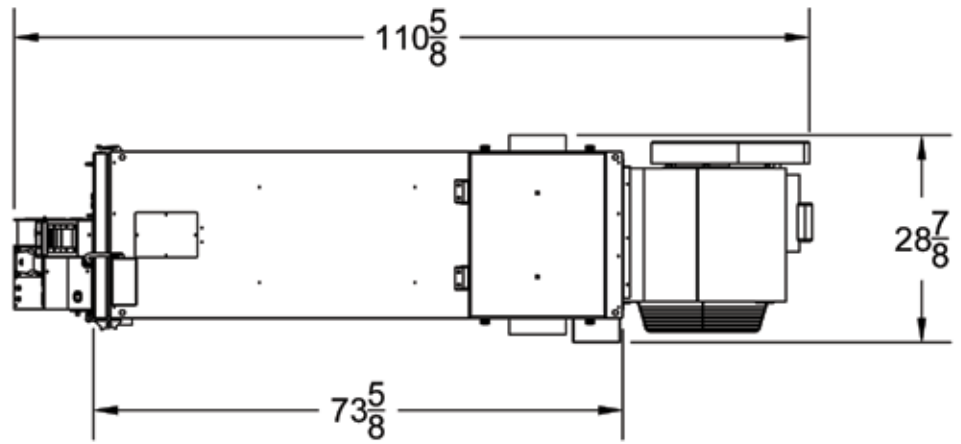
Acceptable fuel: used crankcase oil, transmission fluids, hydraulic oil, #2 heating oil (diesel fuel) and most synthetic oils.

CleanEnergyHeatingSystems
WWW.CLEANENERGYHEATINGSYSTEMS.COM

888.519.2347 - info@CleanEnergyHeatingSystems.com
540 Maple Street - Honey Brook, PA 19344

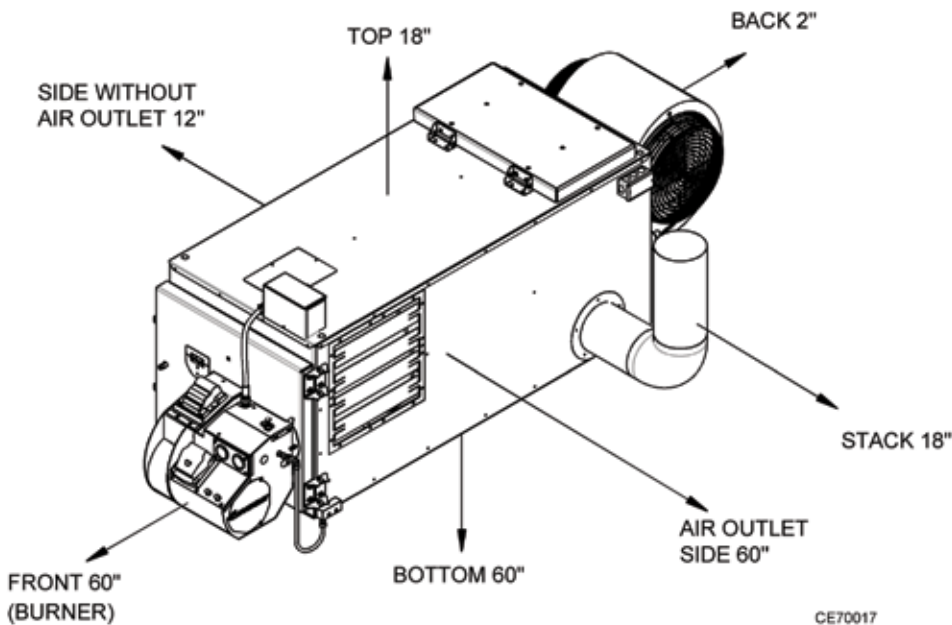


CE-330 DIMENSIONS



CE70056

Clearances to Combustible Materials



CE70017

