

CLEANENERGY[®]

Waste Oil Heaters That Burn Hot & Save Money



CE-140

WASTE OIL FURNACE

BIG COST SAVINGS IN A SMALL PACKAGE

Our CE-140 Waste Oil Furnace is the best way to get started creating free heat for your facility.

Thanks to a small footprint, an innovative new design and up to 140,000 BTUs of heat output, this furnace is the perfect choice for heating smaller spaces. Best of all, with a low purchase price it's guaranteed to generate return on investment in addition to clean, safe heat.

Included with the furnace:

- ✓ Stainless steel heat exchanger
- ✓ Preassembled metering pump
- ✓ Clean Energy burner
- ✓ Direct drive blower w/ 3/4hp motor
- ✓ Inline oil filter w/gauge
- ✓ Barometric damper
- ✓ Digital wall thermostat

Acceptable fuel: used crankcase oil, transmission fluids, hydraulic oil, #2 heating oil (diesel fuel) and most synthetic oils.

Features:

- ✓ High-velocity, stainless steel air swept heat exchanger
- ✓ Vertical stainless steel flue tubes
- ✓ Over-center latches on clean-out doors
- ✓ Left or right side chimney outlets
- ✓ Tank, wall or ceiling mountable
- ✓ 1000+ hour cleaning interval
- ✓ 10-year warranty on heat exchanger
- ✓ 2-Year Warranty On Parts
- ✓ Made in the USA

Specifications:

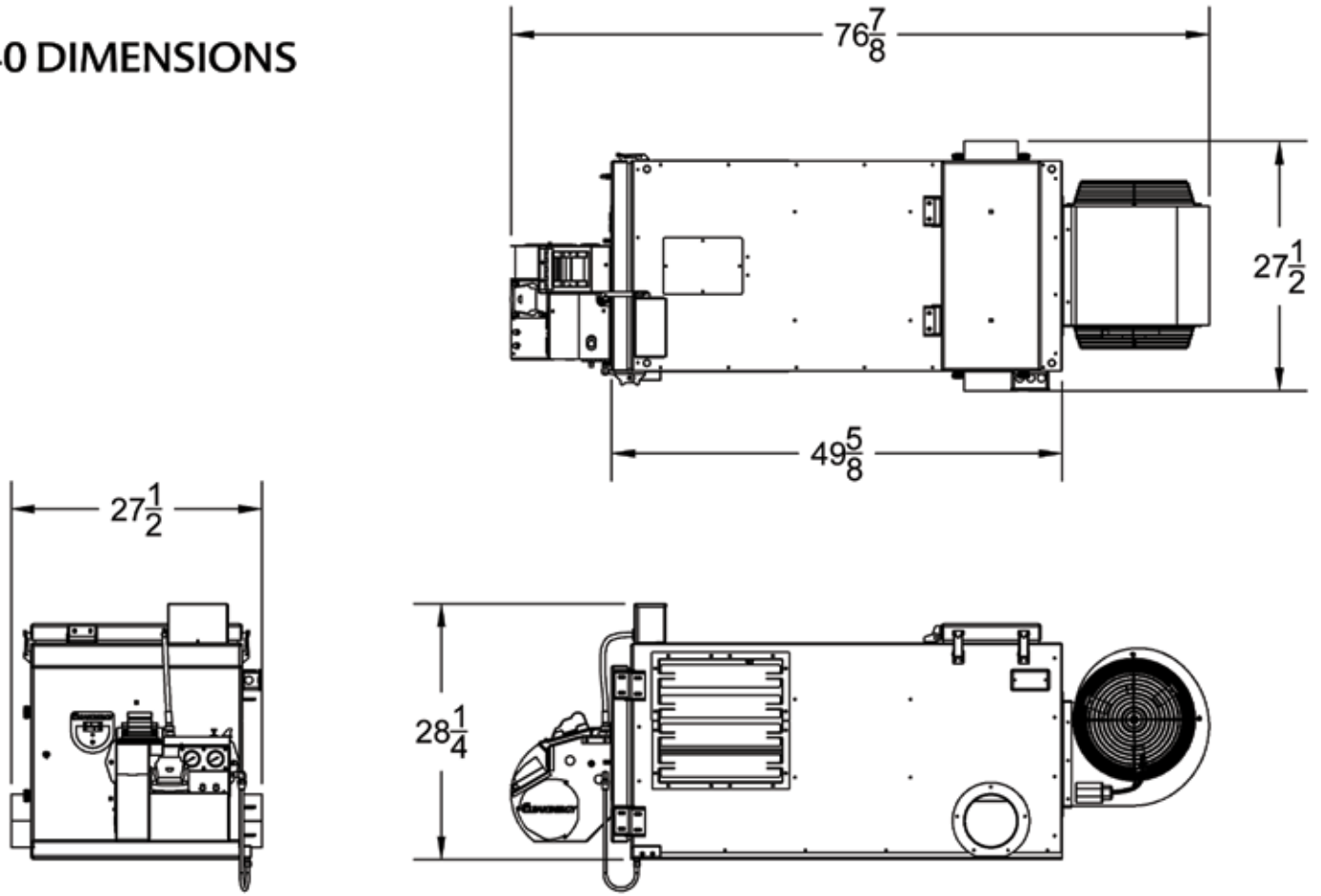
- ✓ 140,000 BTU/hour input
- ✓ 1.0 GPH max fuel consumption
- ✓ 1,700/75° F air flow output CFM/heat rise
- ✓ 115 VAC, 60 Hz, single phase, 20-amp breaker
- ✓ UL and cUL Listed
- ✓ 6" diameter stack outlet
- ✓ Hanging weight 430 lbs.

CleanEnergyHeatingSystems
WWW.CLEANENERGYHEATINGSYSTEMS.COM

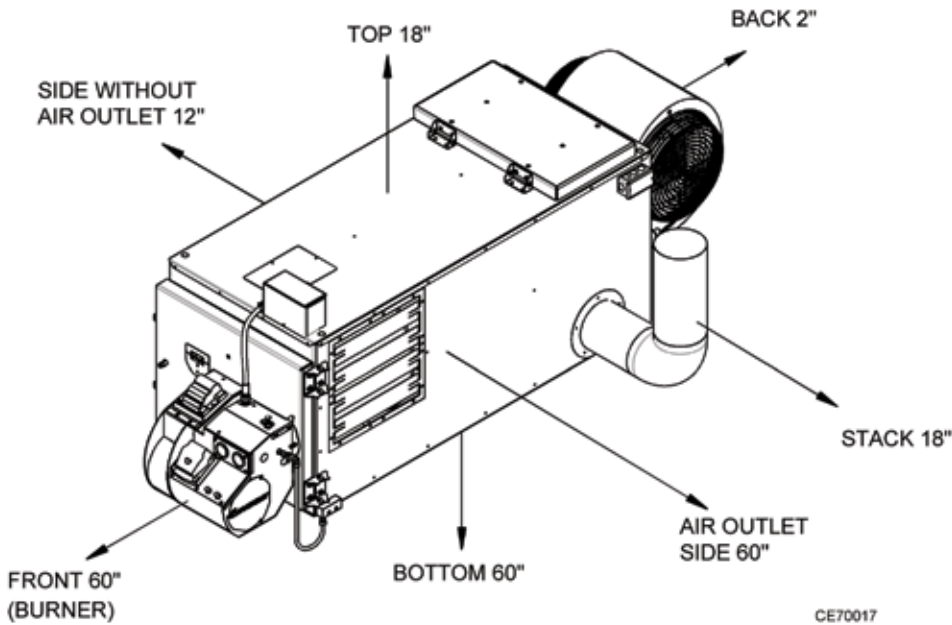
888.519.2347 - info@CleanEnergyHeatingSystems.com
540 Maple Street - Honey Brook, PA 19344



CE-140 DIMENSIONS



Clearances to Combustible Materials



CE70017

